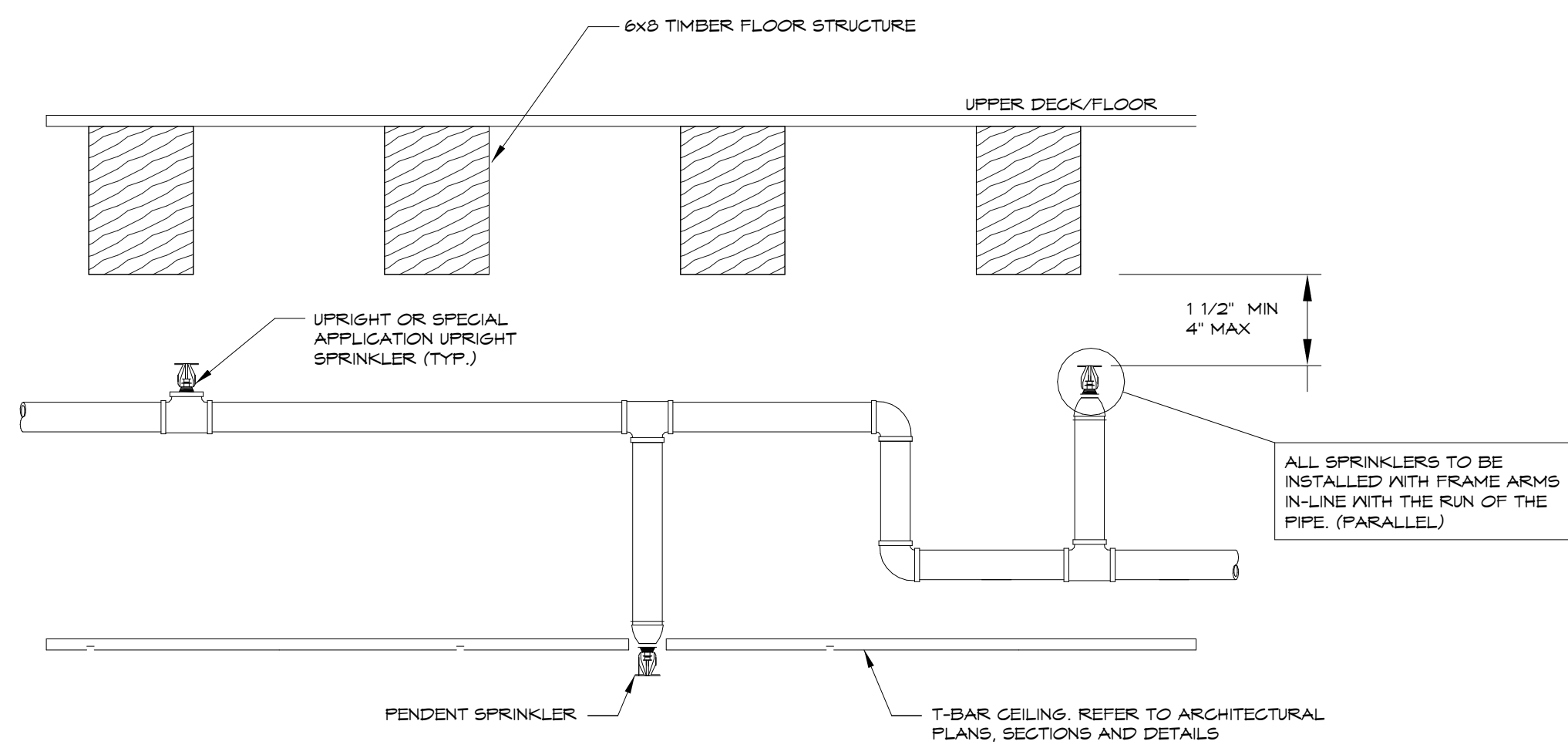
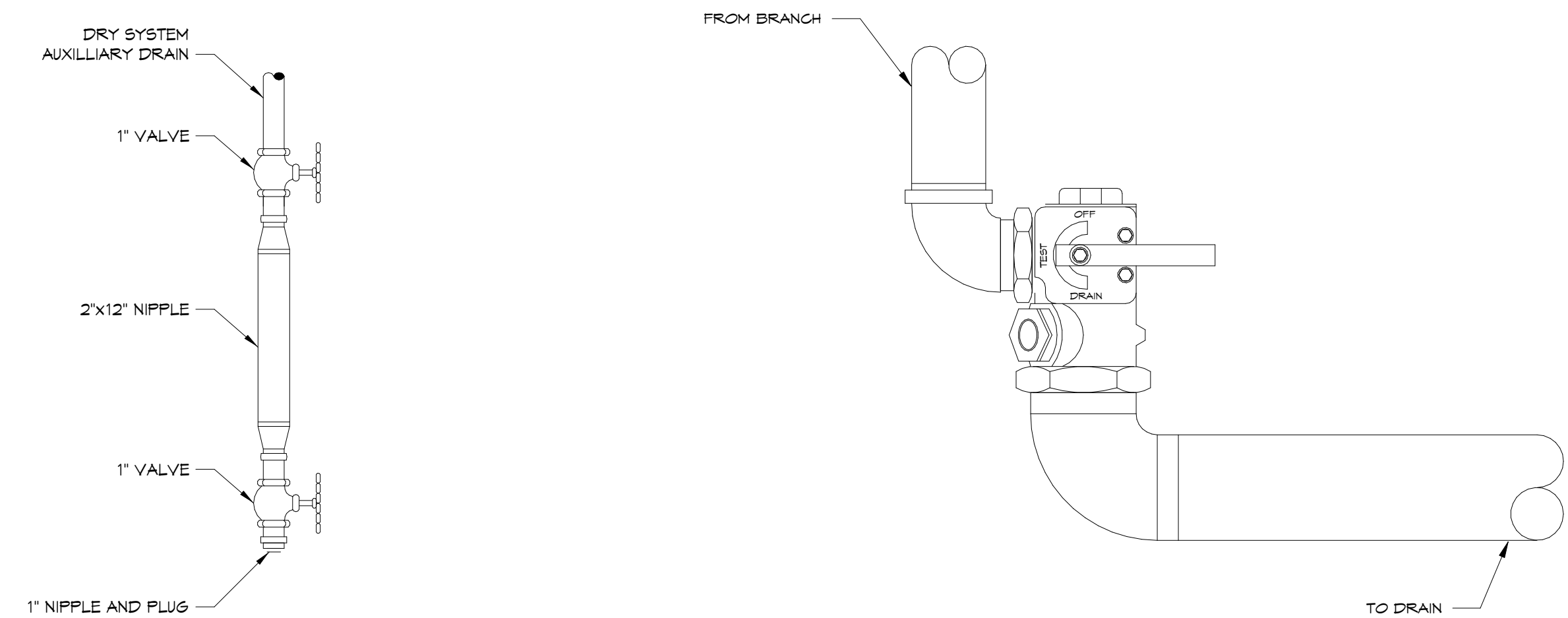


NOTE: NOT ALL VALVES AND FITTINGS ASSOCIATED WITH DRY VALVE TRIM ARE SHOWN. REFER TO SPECIFICATIONS FOR ADDITIONAL INFORMATION.

1 DUAL WET/DRY SYSTEM ALARM VALVE DETAIL  
SCALE : NONE

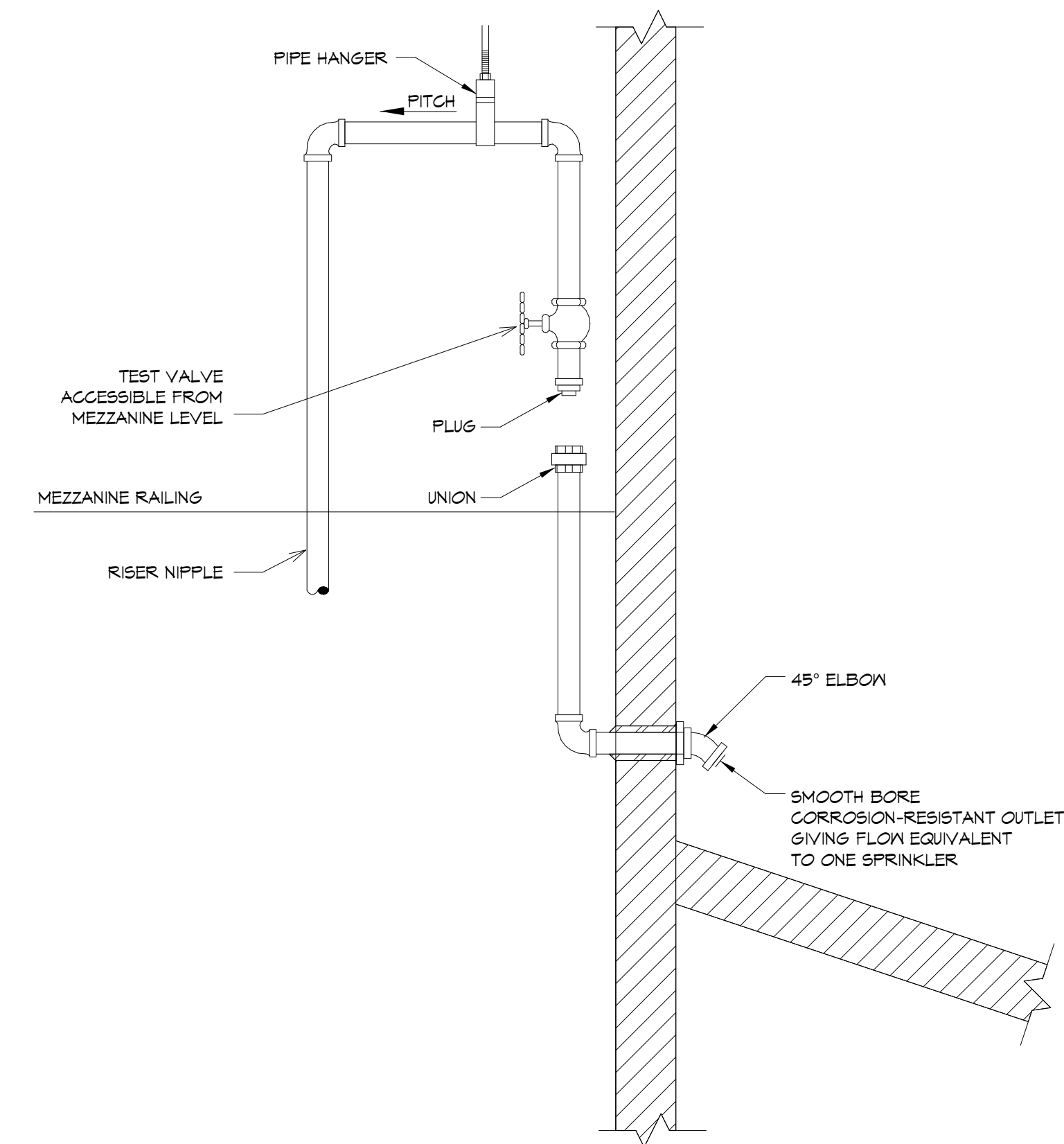


3 COMBUSTIBLE CONCEALED SPACE SPRINKLER INSTALLATION  
SCALE : NONE



5 DRY SYSTEM AUXILLIARY DRAIN  
SCALE : NONE

6 WET SYSTEM INSPECTORS TEST  
SCALE : NONE



NOTES:

1. ALL EXTERIOR DRAIN PIPING SHALL BE SCHEDULE 40 GALVANIZED STEEL.
2. CONTRACTOR SHALL COORDINATE FINAL LOCATION OF DRAINS WITH ARCHITECT.

4 FIRE SPRINKLER DRAIN DETAIL  
SCALE : NONE

# TOWN OF SARATOGA

ON BEHALF OF THE HISTORIC HUDSON & HOOSIC RIVERS PARTNERSHIP

GATEWAY VISITOR CENTER  
SCHUYLERVILLE, NY



LAKES TO LOCKS  
PASSAGE

THE GREAT NORTHEAST JOURNEY

SARATOGA ASSOCIATES

Landscape Architects, Architects,  
Engineers, and Planners, P.C.  
NEW YORK CITY > SARATOGA SPRINGS > SYRACUSE



REVISIONS				
NO	DATE	DESCRIPTION	DRAWN	CHK

SARATOGA ASSOCIATES PROJECT # 15006.10

UNAUTHORIZED ALTERATION OR ADDITION TO THIS DOCUMENT IS A VIOLATION OF SECTION 2209 OF THE NEW YORK STATE EDUCATION LAW. COPYRIGHT 2016 ALL RIGHTS RESERVED SARATOGA ASSOCIATES

DATE: 3.30.2016  
DRAWN BY: DAS  
CHECKED BY: PJP  
PHASE: 100% CDs



DETAILS - FIRE PROTECTION

FP101